



Model: **UH4**



## UH4 – Installation Manual

### Description

The UH4 is an 4 Zone & Hot water wiring centre for use with Heatmiser 230v thermostats.

The UH4 can be used to control any actuator or valve which requires a 230v AC signal. At the same time the UH4 offers the ability to operate a boiler or other heat source through a volt free output.

An additional output designed for use with underfloor heating systems, is also included as standard. This is the pump/valve Output, which would normally operate a manifold pump or a manifold valve.

The H/W output provides a 230v hot water enable signal to the valve, the auxiliary wires of the valve are wired to the Gr & Or terminals.

Zone 4 can be used as an isolated radiator zone by using the Yes/No switch.

If the switch is set to **NO**;

When zone 4 calls for heat this will provide an output to a radiator zone valve and the boiler but **WILL NOT** enable the underfloor heating pump/valve output.

If the switch is set to **YES**;

When Zone 4 calls for heat, this will act as an underfloor heating zone, by enabling the actuator, boiler and pump/valve outputs.

Any output which is not needed can be ignored.



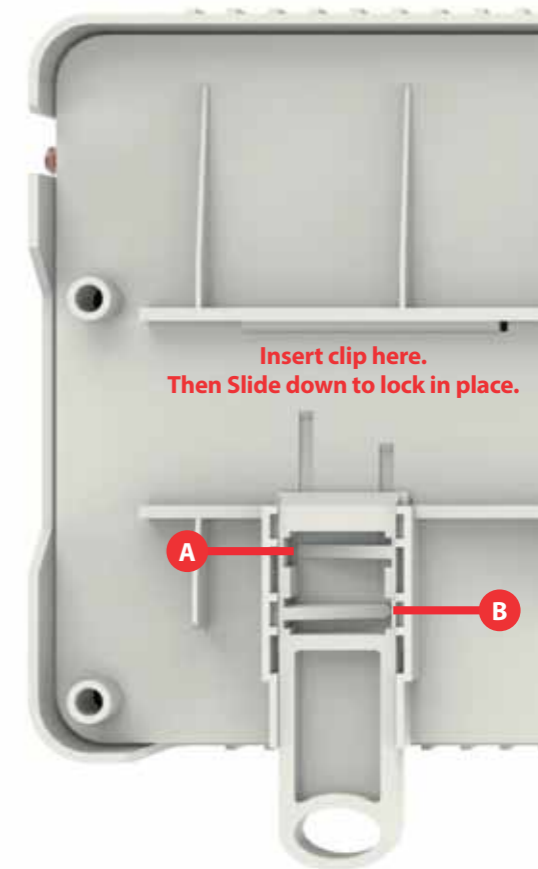
## Installation

The UH4 can be mounted directly to a wall using four screws or alternatively, the unit can be DIN rail mounted.

When DIN Rail mounting, you first need to insert the two clips provided on the back of the UH4, as shown in the image;

- On the back of the UH4, position the clip in the middle and slide down.
- Points A and B locate in the corresponding holes and lock into place.
- Locate the UH4 onto the DIN rail from the top.
- Pull the clip down and push the bottom of the UH4 onto the DIN rail.
- Releasing the clip will lock the UH4 in place on the DIN rail.

To remove the UH4, pull both clips down and remove from the DIN rail.





## UH4 Wiring

### Connections

#### Mains Supply

Power supply into the UH4 which should be fused at 5 amps these connections are marked

L = live or phase 230v AC 50/60Hz

N = Neutral

E = Earth

#### Heat Enable

This is the main call for heat for the system, there are 3 connections;

LS = Live Supply

E = Earth

LR = Live Return

Electrically this is a volt free switch, whatever supply is placed on the LS connection, is fed to the LR connection when there is a call for heat.

### H/W

This output is used to control a hot water valve via a cylinder thermostat

L = Live

E = Earth

N = Neutral

Gr = Grey

Or = Orange

The auxiliary wires of the valve, usually grey & orange, are wired to the Gr & Or terminals.

### Zones 1...4

Zones outputs are clearly marked

L = live out to actuator or valve

N = neutral to actuator or valve

There are two connections live (L) and neutral (N), both terminals marked L are the same and both terminals marked N are the same.

Each zone output corresponds to the thermostat wired in at the top of the pcb.

### Manifold Pump/Valve

Used for an underfloor heating manifold pump and or valve.

Connections are clearly marked

L = Live

E = Earth

N = Neutral

When an under-floor heating zone sends a call for heat to the UH4, the live & neutral output will supply 230v to the manifold pump/valve.

It is recommended that this is fed through a high limit switch placed on the heating manifold, to protect against mechanical failure of the manifolds temperature control.


### Fuses

**Fuse 1.** 5amp, 20mm anti-surge fuse, this fuse supplies power to all 230v outputs from the board it protects the zone, pump/valve outputs.

**Wiring UH4 – UH4 to neoStat – 3 x Underfloor Heating, 1 x Radiator zone & Hot Water.**  
**(Manifold Valve & Pump connections)**

UFM UNDER FLOOR MANIFOLD

LIVE 

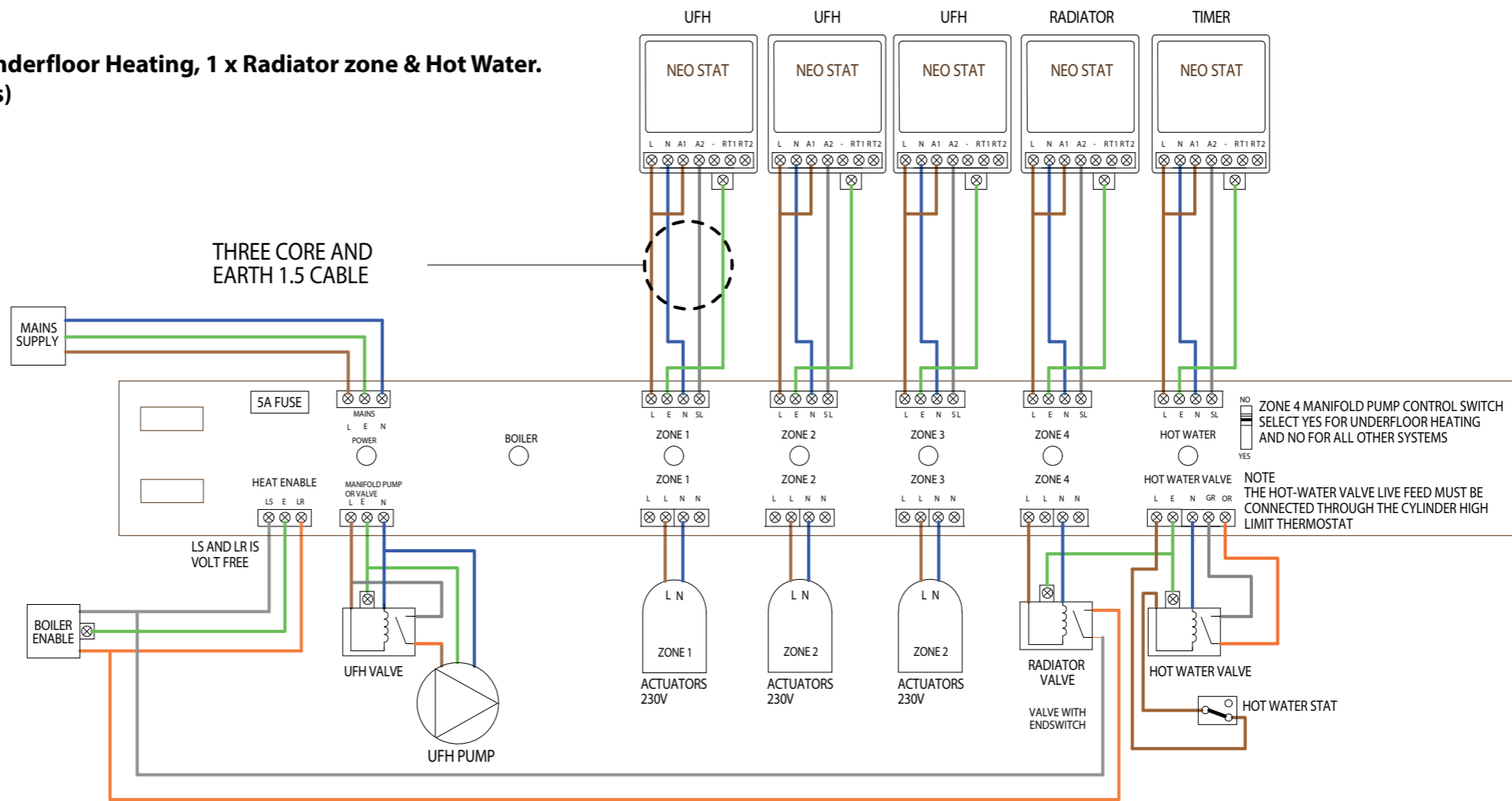
SWITCH LIVE 

NEUTRAL 

EARTH 

END SWITCH AND 

BOILER ENABLE 



This equipment should be installed by an appropriately qualified/registered electrician.  
 Fully read the instructions for proper wiring before applying power.  
 The warranty does not cover damage from improper wiring or installation.



# UH4 – Solfex 230v Thermostat Wiring

UFM UNDER FLOOR MANIFOLD

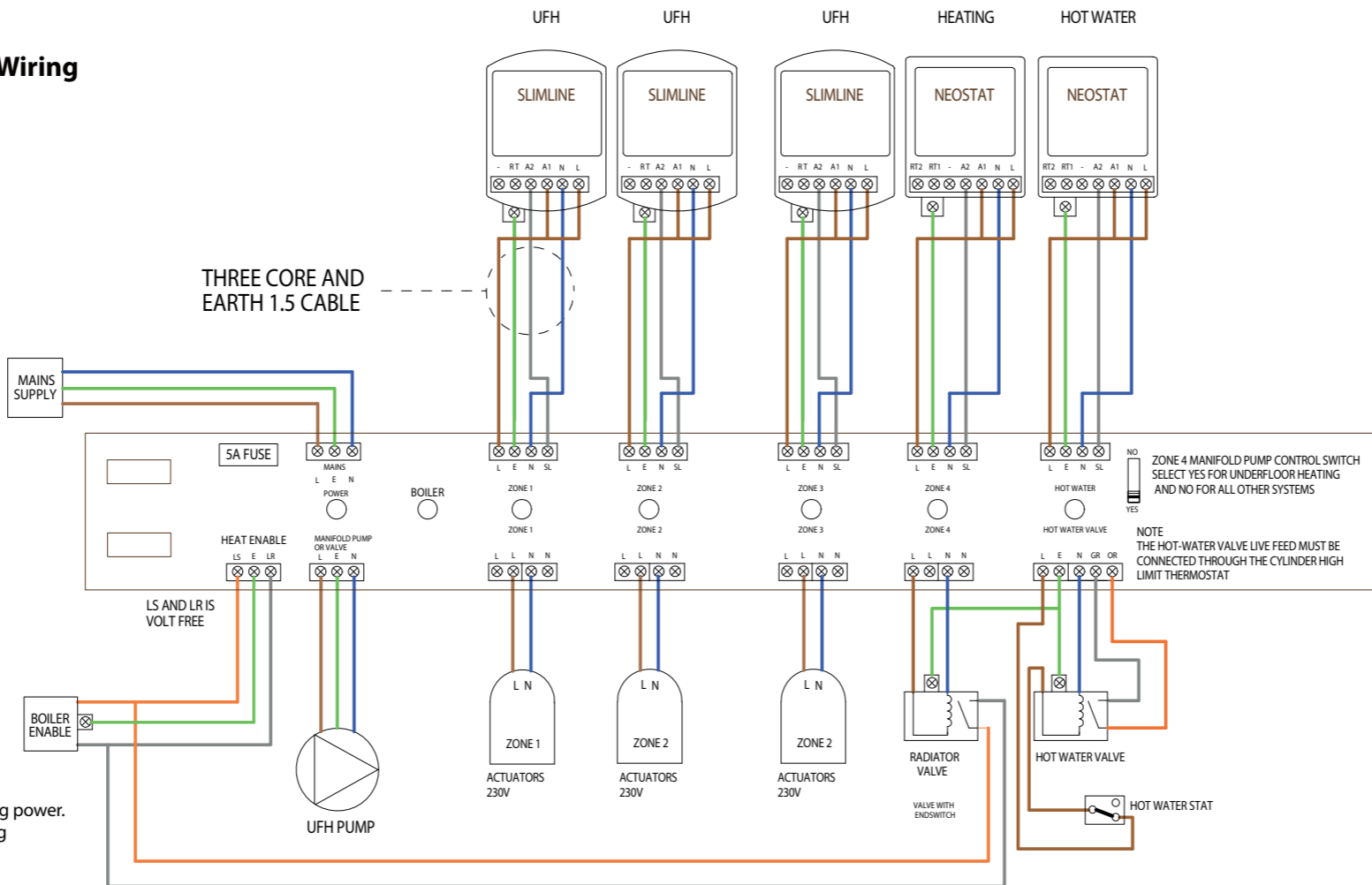
LIVE

SWITCH LIVE

NEUTRAL

EARTH

END SWITCH AND BOILER ENABLE



This equipment should be installed by an appropriately qualified/registered electrician.  
 Fully read the instructions for proper wiring before applying power.  
 The warranty does not cover damage from improper wiring or installation.

## Ratings

Number of Heating Zones	4
Number of Hot Water Zones	1
Neon Indication	Y
DIN Rail Mounting	Y
<b>Supply</b>	230v AC 50Hz 1 Phase
<b>Relay Load Max</b>	3 Amp Resistive
<b>Total Load Max</b>	5 Amp Resistive
<b>IP Protection</b>	IP20
<b>Installed Dimensions (L,H,D)</b>	384 x 148 x 60mm
<b>Weight</b>	800g



## Want More Information?

Call our support team on: +44 (0) 1268 744 249

Or view technical specifications directly on our website:

[www.solfexufh.co.uk](http://www.solfexufh.co.uk)

---

## Products Commonly used with the UH4 wiring centre.



Slimline



NeoStat